

## Manual Paul Plane

// with optional ramp (P1)

date: 13.07.2022

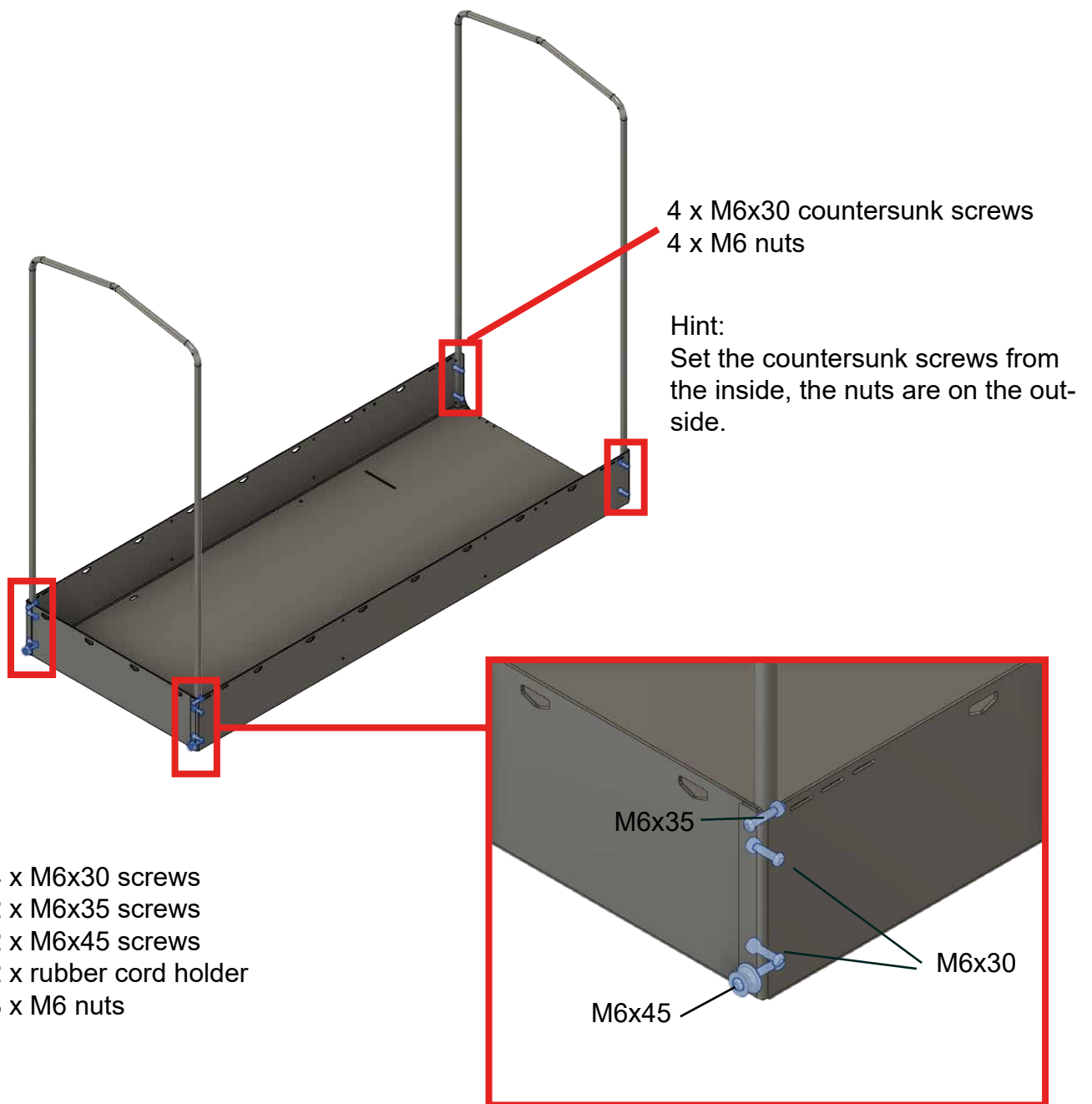
content	page
1. Installation „Paul Plane“	
1.1 Installation lateral tubes	2
1.2 Installation back plane	3
1.3 Installation roof tubes	4
1.4 Installation twist locks	5
1.5 Installation setup on the Carla	6
2. Installation ramp	
2.1 Installation bump stops and small ramp holders	
2.2 Installation ramp on the tub	8

## 1. Installation „Paul Plane“

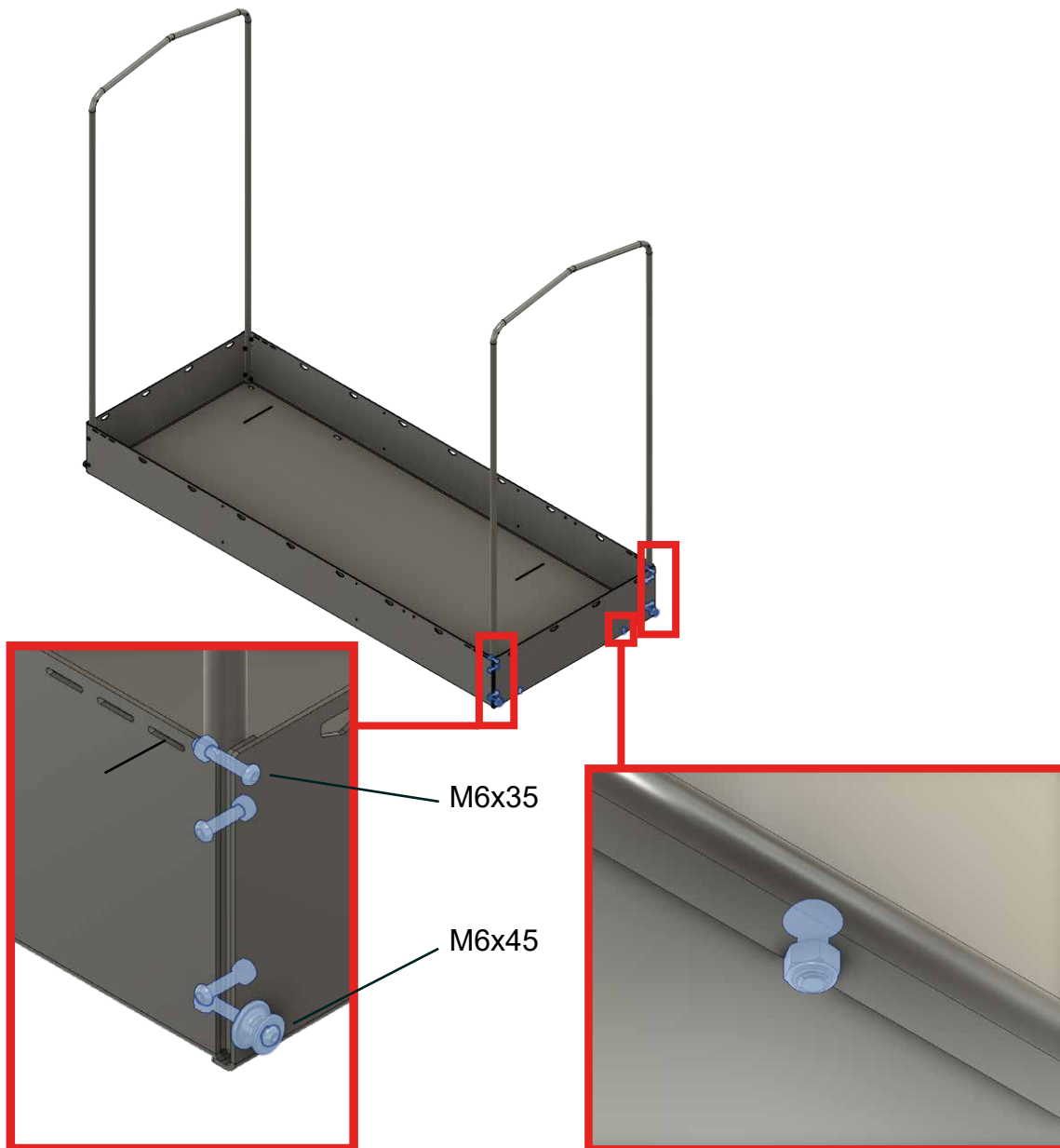
### 1.1 Installation lateral tubes

**Attention:**

The lateral tube at the open end of the tub has countersunk holes on the inside for mounting the 4 countersunk screws there.



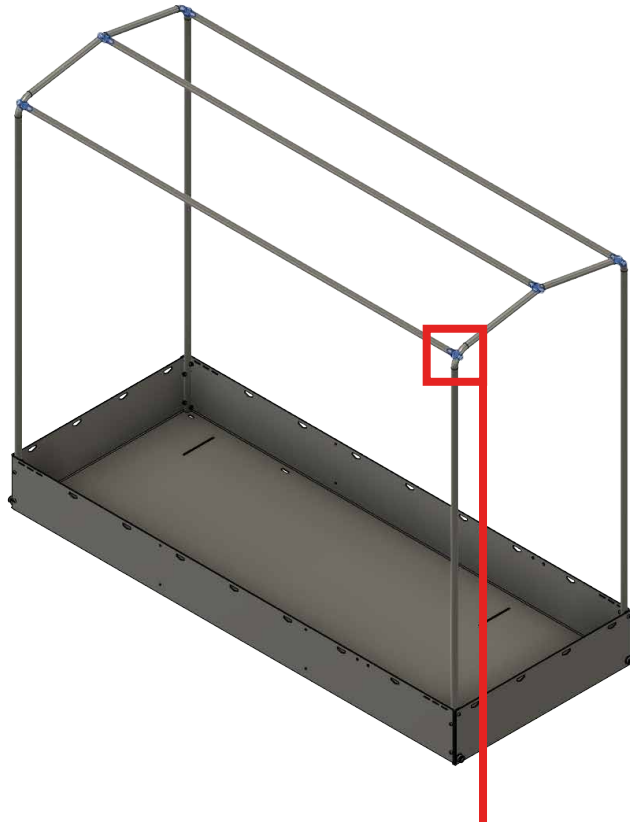
## 1.2 Installation back plane



2 x M6x35 screws  
2 x M6x45 screws  
2 x rubber cord holder  
4 x M6 nuts

2 x M5x12 screws  
2 x M5 nuts

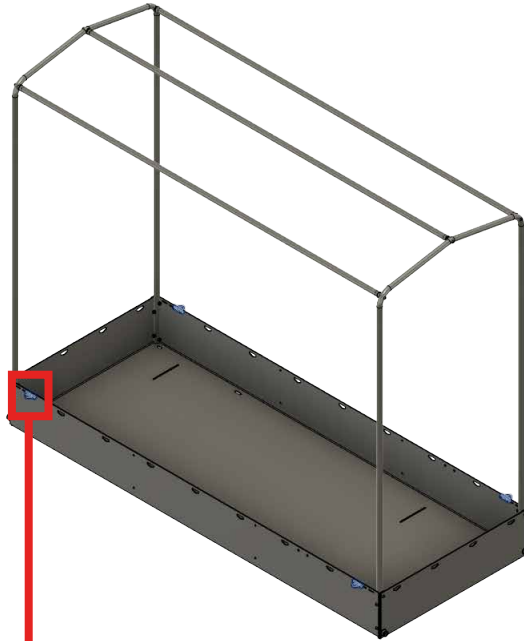
## 1.3 Installation roof tubes



6 x M6x45 screws  
6 x saddle plates

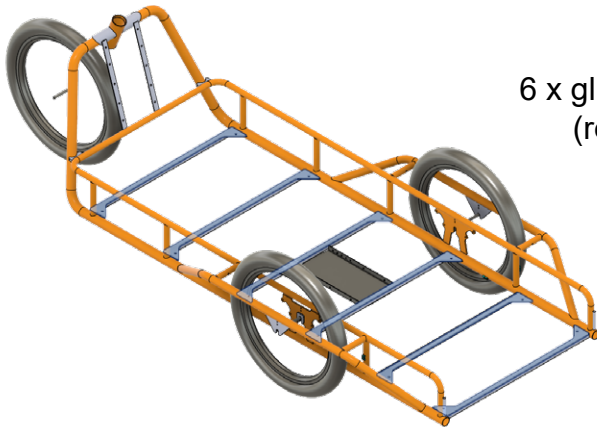


## 1.4 Installation twist locks

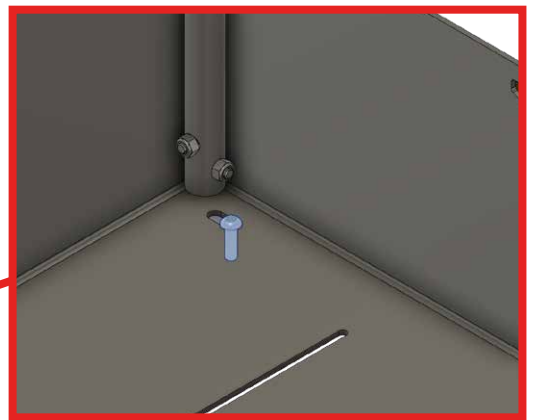
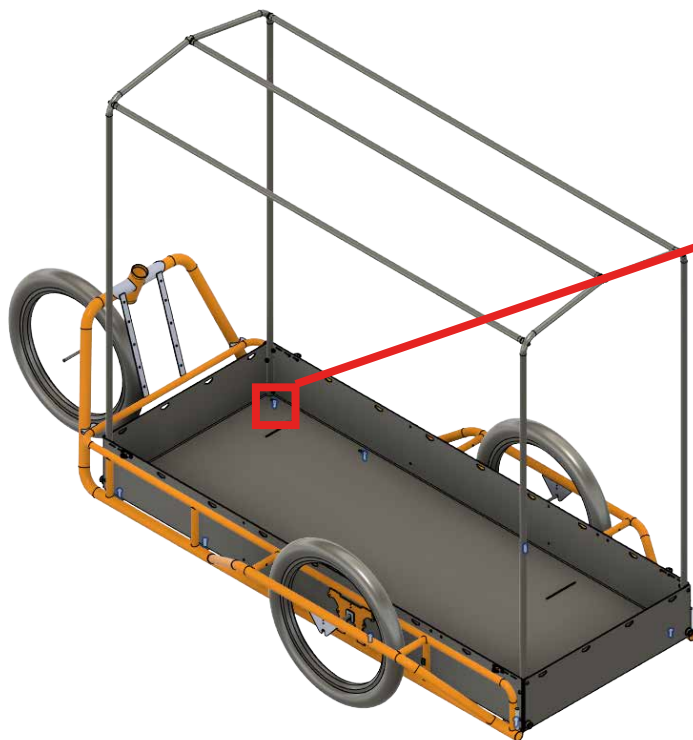


- 4 x twist lock
- 8 x M3x8 countersunk screws
- 8 x M3 nuts

## 1.5 Installation setup on the Carla



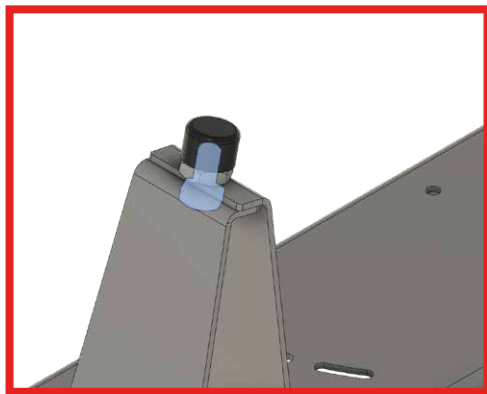
6 x glue felt strips  
(remove protective foil)



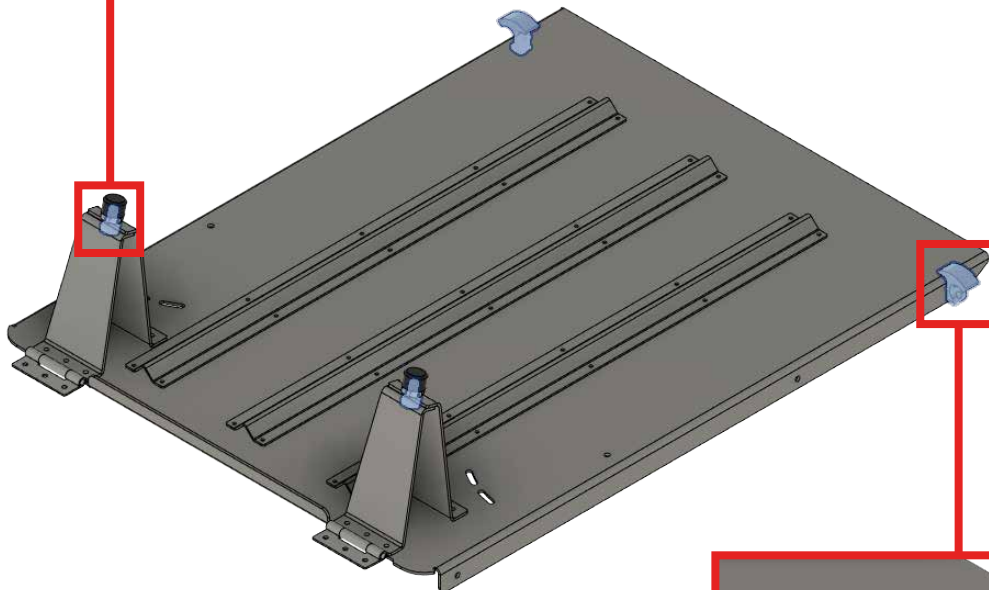
8 x M6x20 screws

## 2. Installation ramp (P1, optional)

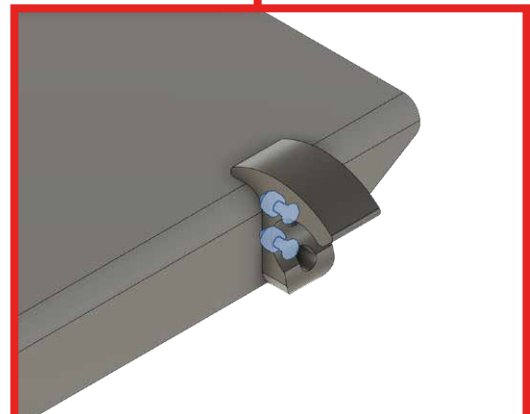
### 2.1 Installation bump stops and small ramp holders



2 x bump stop  
2 x M10x20 screws



2 x small ramp holders  
4 x M3x10 screws  
4 x M3 nuts



## 2.2 Installation ramp on the tub

**Hint:**

**Loosen the screws of the back plane and remove it.**

**Install the lateral and roof tubes again (screws according to 1.1 and 1.2).**

6 x M5x12 screws  
6 x M5 nuts

