

Manual Tarpaulin setup for Fleximodal Runner

// with optional ramp (P1)

date: 19.04.2023

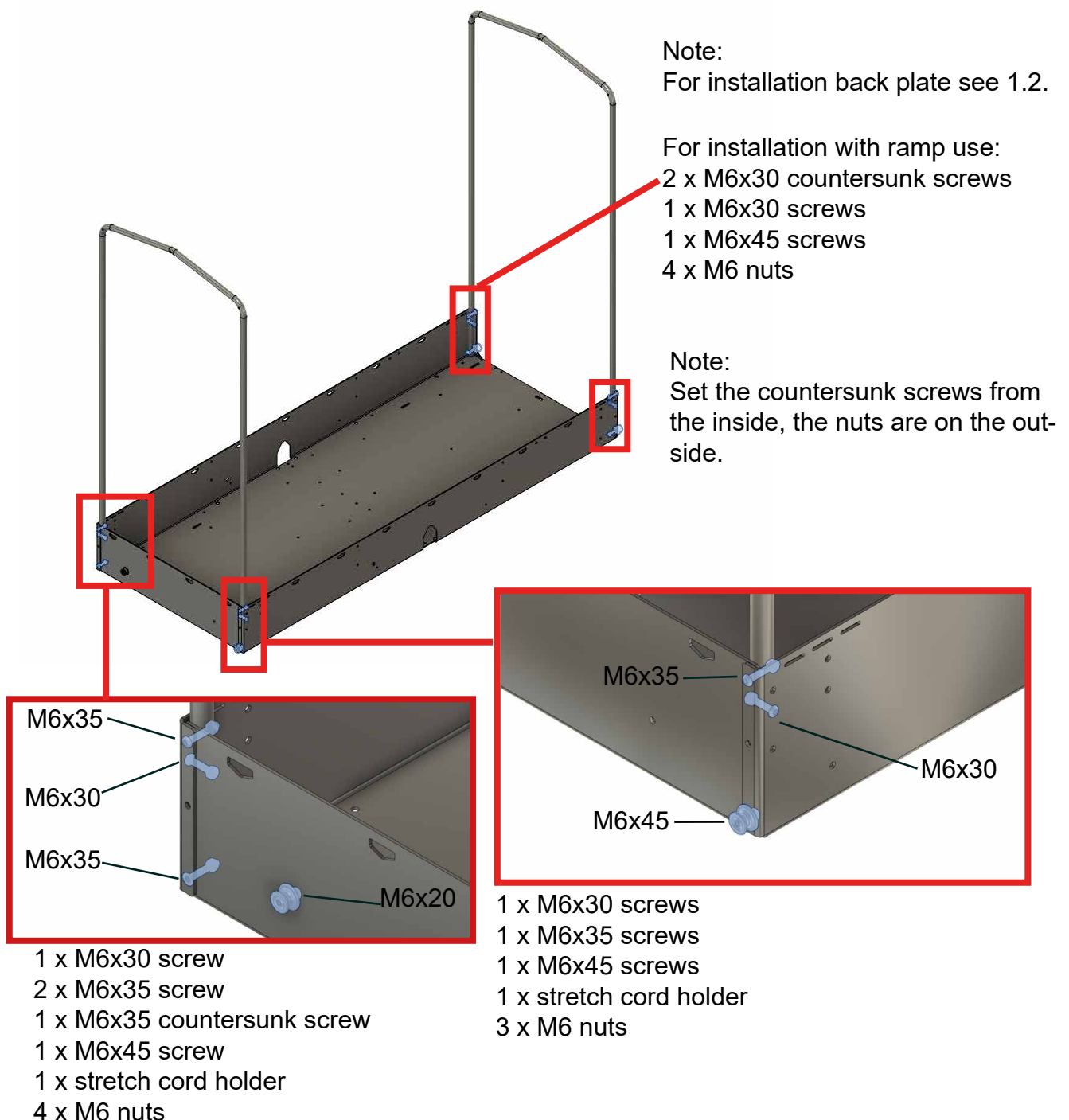
content	page
1. Installation „Tarpaulin setup“	
1.1 Installation lateral tubes	2
1.2 Installation back plane	3
1.3 Installation roof tubes	4
1.4 Installation twist locks	5
1.5 Installation setup on the Runner	6
2. Installation ramp	
2.1 Installation bump stops and small ramp holders	7
2.2 Installation ramp on the tub	8

1. Installation „Tarpaulin setup“

1.1 Installation lateral tubes

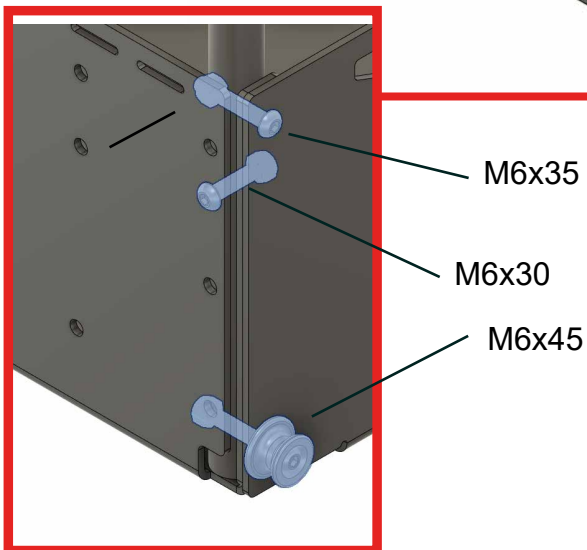
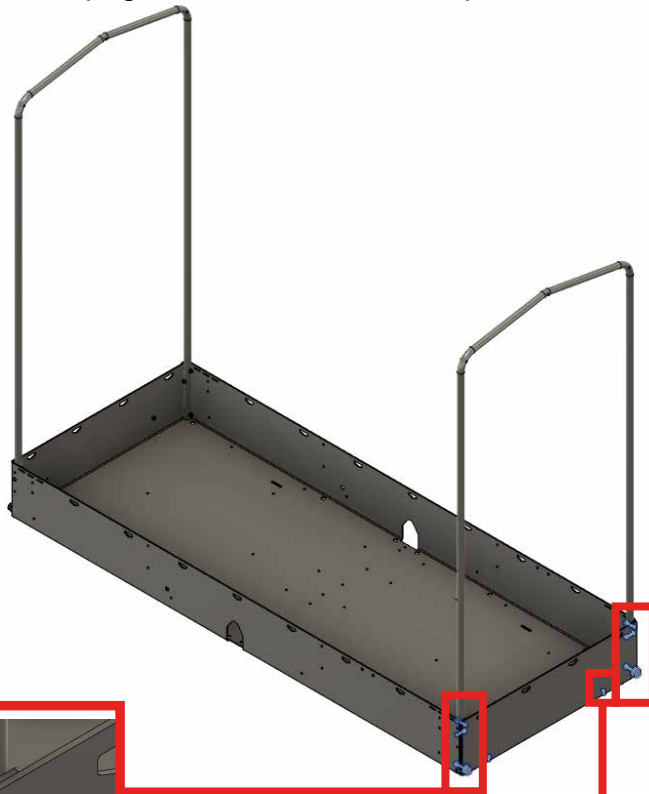
Attention:

The lateral tube at the open end of the tub has countersunk holes on the inside for mounting the 2 countersunk screws there.



1.2 Installation back plate

Note: To install a ramp, go to „2. Installation ramp“

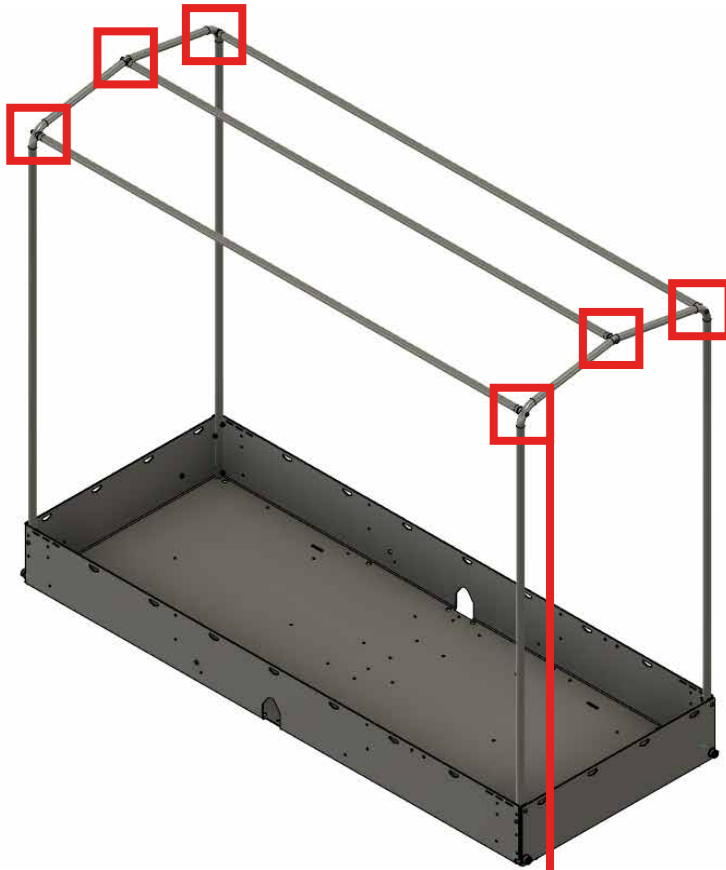


2 x M6x30 countersunk screws
 2 x M6x35 screws
 2 x M6x45 screws
 2 x stretch cord holder
 6 x M6 nuts



2 x M5x12 screws
 2 x M5 nuts

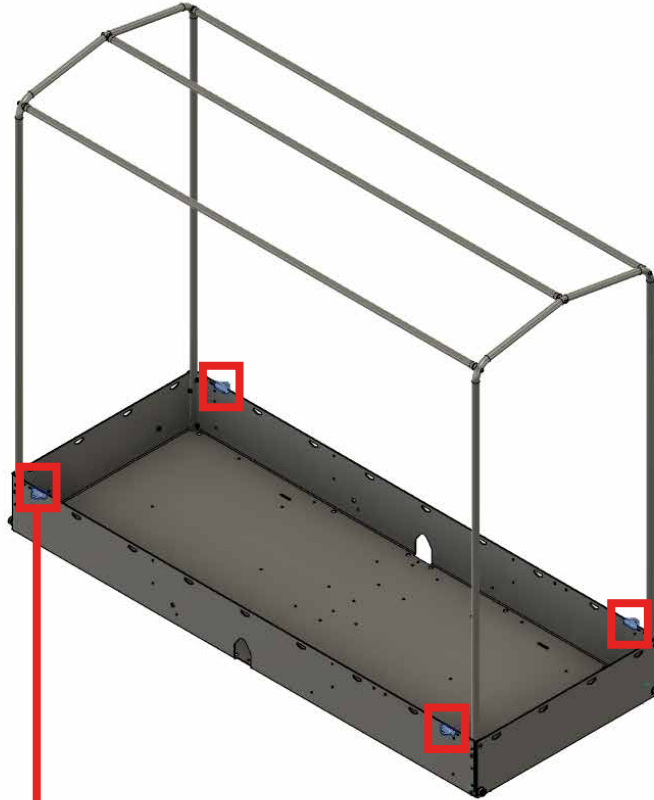
1.3 Installation roof tubes



6 x M6x45 screws
6 x saddle washers



1.4 Installation twist locks

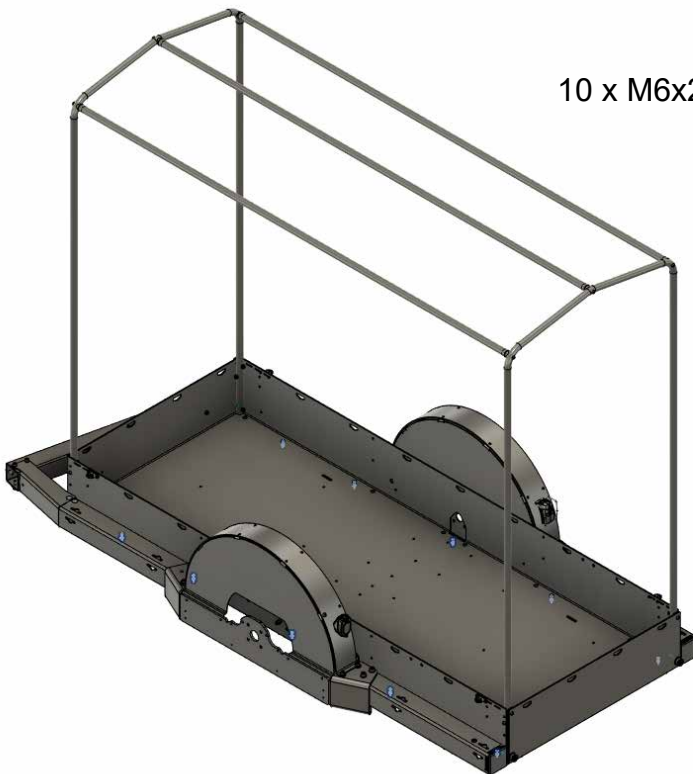


4 x twist lock
8 x M3x8 countersunk screws
8 x M3 nuts

1.5 Installation setup on the Runner



10 x glue felt pieces
(remove protective foil)



10 x M6x20 screws

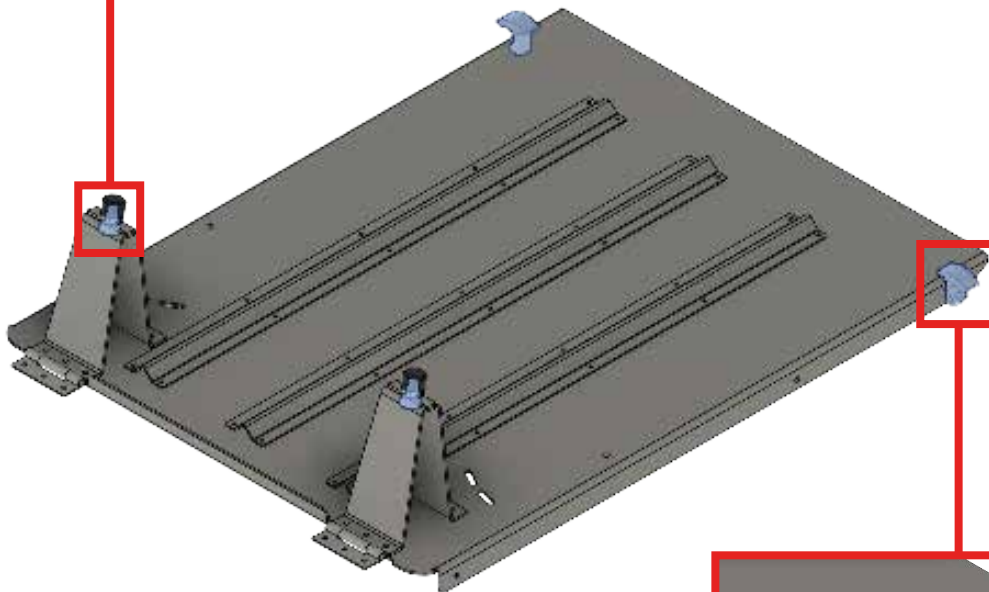
2. Installation ramp (P1, optional)

2.1 Installation bump stops and small ramp holders

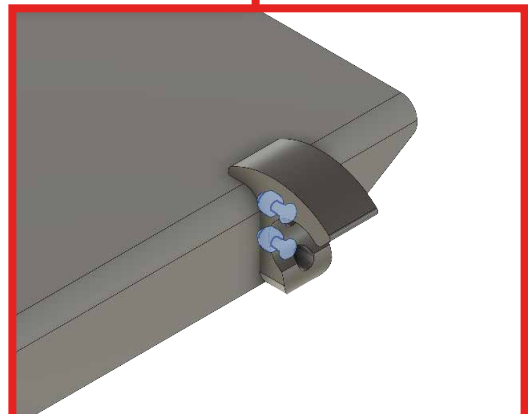


Note: Install up to 5 distancing rings with an corresponding M10 screw depending on the bicycle being used to achieve the right height for the ramp.

- 2 x bump stops
- 5 x plastic distancing rings
- 2 x M10x20 screws
- 2 x M10x35 screws
- 2 x M10x40 screws



- 2 x small ramp holders
- 4 x M3x10 screws
- 4 x M3 nuts



2.2 Installation ramp on the tub

Note:

If a back plane is preinstalled, loosen the screws of the back plane and remove it. Install the lateral and roof tubes again (screws according to 1.1 and 1.2).

6 x M5x12 screws
6 x M5 nuts

